

LED-BEACONS

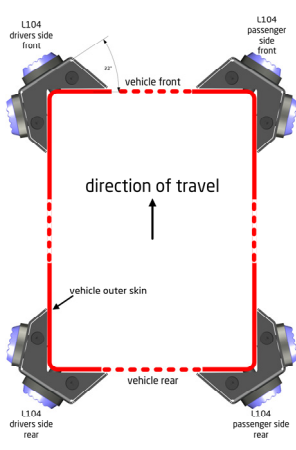
Half-Beacon L104

The half beacon L104 supports or replaces the main beacon (s) on the front of the vehicle and / or on the rear of the vehicle.

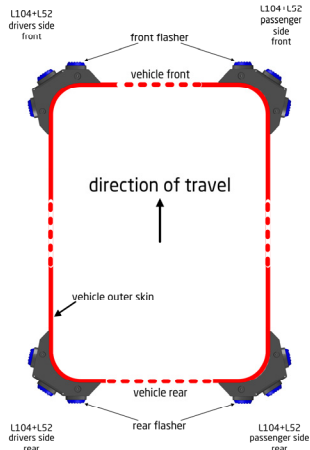
With the L104 + L52 version, an additional front / rear flash is integrated in the housing.

Product features:

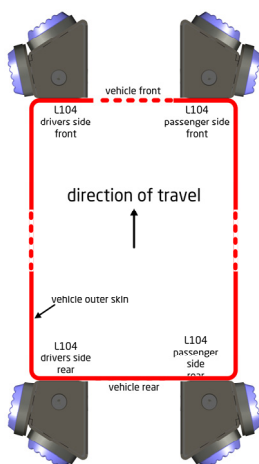
- 4 available variants
- Also for retrofitting on existing vehicles
- 2 or 4 modules per vehicle possible
- Can also be used in conjunction with a light bar or integrated beacons
- Can be combined with the Kreuzungsblitz®
- Approval according to ECE R65 "HTB 2"



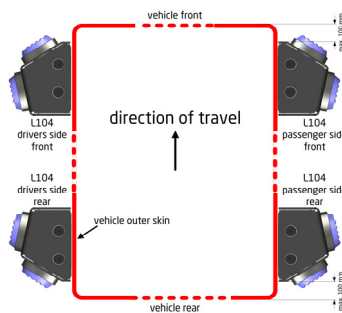
L104 Corner mounting



L104+L52 Corner mounting R40



L104 surface mounting Front-rear



L104 surface mounting laterally

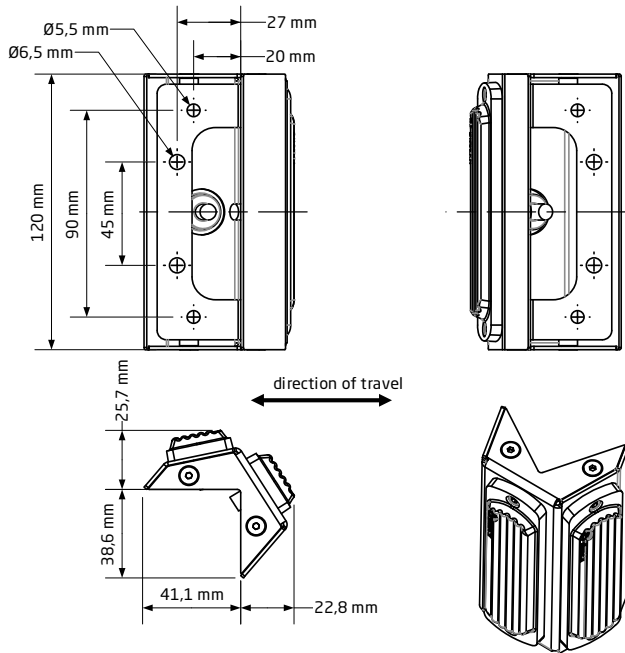
TECHNICAL DATA	
operating voltage	12 / 24 VDC (10 ... 30VDC)
current consumption	max. 2 A per module at 13.8 VDC max. 1 A per module at 27.6 VDC
LED-colour	blue
lens-colour	clear
amount of LEDs	12
luminous intensity	226 cd
cable	2x 2 m
mounting	<ul style="list-style-type: none"> • corner mounting • built on side • built on front or rear
dimensions	<ul style="list-style-type: none"> • corner mounting 63.9 x 64.3 x 120.0 mm • built on side 57.4 x 43.8 x 118.5 mm • built on front or rear 42.0 x 46.0 x 115.0 mm • L104+L52 97.2 x 95.7 x 120.4 mm
ambient temperature	-40°C ... +85°C
weight	approx. 460 g
approvals	light: E5*65R03/10*0077*00 EMC: E5*10R*05235

ARTICLE NUMBER	DESCRIPTION
50138440001	L104 HTB2 corner mount
50138440002	L104 HTB2 built-on side
50138440003	L104 HTB2 built-on front/rear
50138440007	L104 HTB2 + L52 X, built-on 3xblue, R40, front

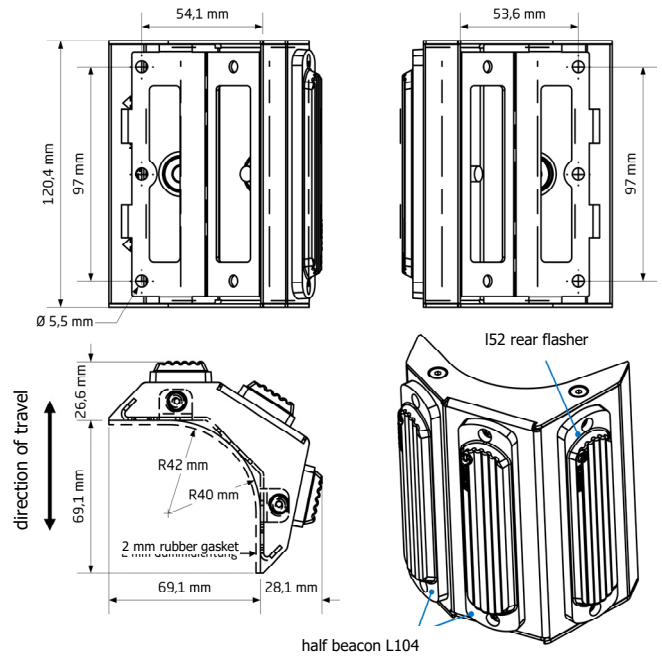
LED-BEACONS

Halbe Kennleuchte L104

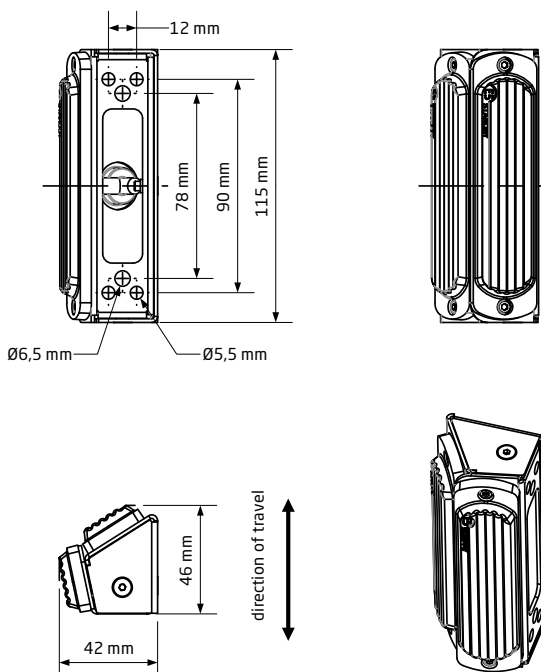
Dimensions
L104 - Corner mounting



Dimensions
L104 + L52 - Corner mounting



Dimensions
L104 - Surface mounting Front-Heck



Dimensions
L104 - Surface mounting laterally

