

Center Stack Display Switch - Manual

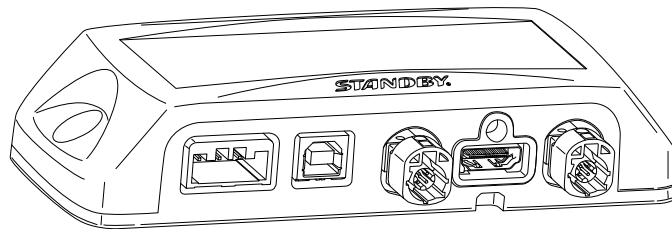
Thank you for choosing products from Standby.

Technical Data

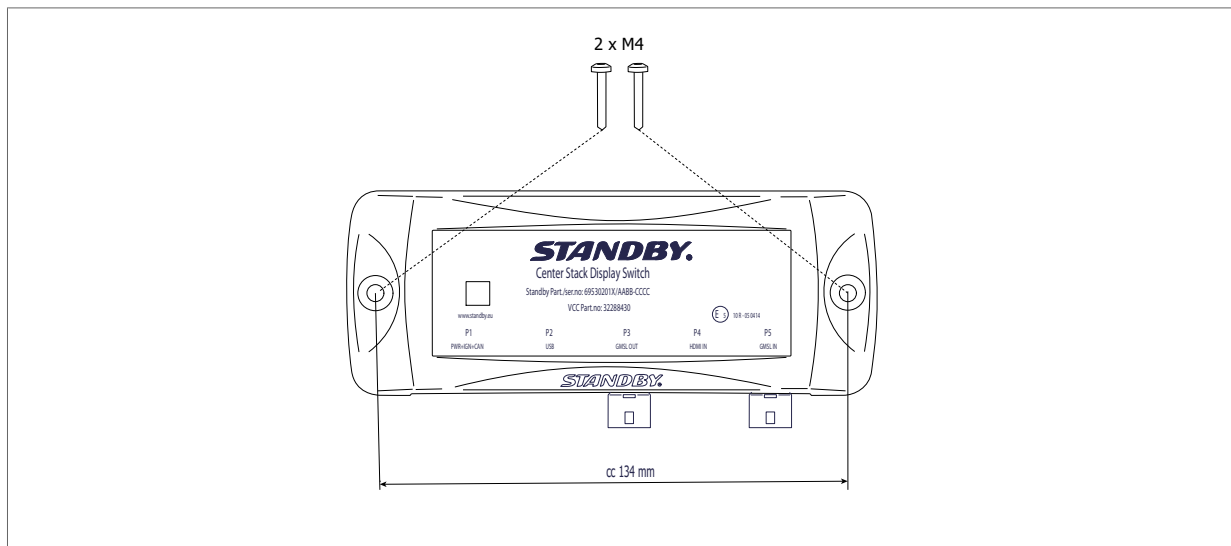
Housing	PC/PBT
Mounting	Surface Mount
Voltage	10-30V
Consumption	200mA@12V
Dimensions	150x58x32 mm
Recommended fuse	1A
Ignition input low voltage	0-2V
Operational temperature	-30°C – +70°C
Approval	ECE R10 (EMC) for10-16V

Included

69530201 - For Volvo
 For other applications please contact Standby

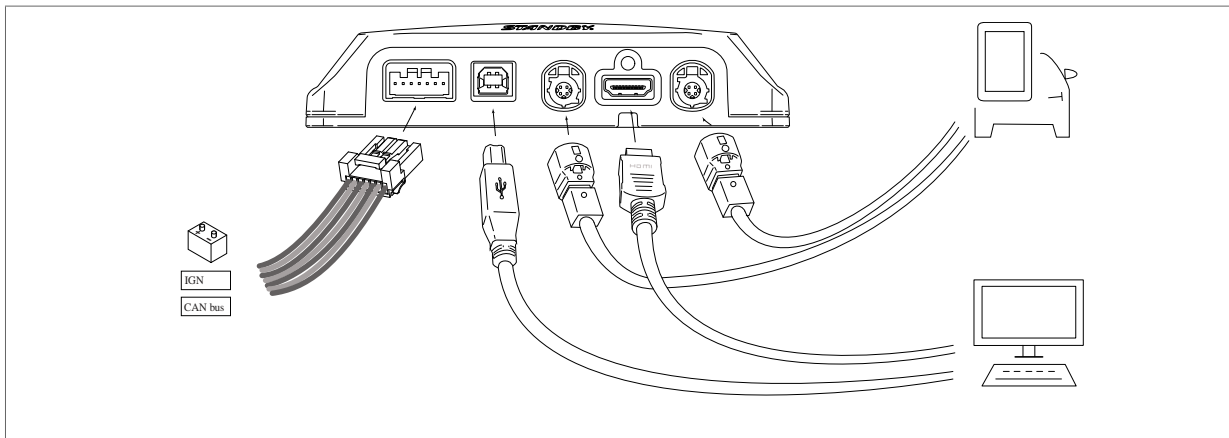


Installation



Only to be installed in dry areas.

Connection



Power+IGN+CAN

Recommended cable connector:
Recommended crimp contact:

JAE IL-AG5- 7S-S3C1
JAE IL-AG5-C1

Pin nr	Function
1	CAN L
2	CAN H
3	CAN L
4	CAN H
5	0V
6	10-30V (R10 approval 9-16V)
7	Ignition. CSDS wakes up when this is > 7V

USB

Connector: USB Type A, high retention

HDMI

Connect to second image source
PCB connector: HDMI 1.4 compliant connector
Recommended cable connector: HDMI 1.4 compliant connector
Possible to use cable with locking screw

GMSL in

Connect to infotainment head unit
PCB connector: Rosenberger D4S20D-40MA5-C
Recommended cable connector: Rosenberger HSD type C

GMSL out

Connect to car display
PCB connector: Rosenberger D4S20D-40MA5-C
Recommended cable connector: Rosenberger HSD type C

CSDS Software

Operating system Compatible with Windows10 and Linux

USB CSDS presents itself as a HID compatible Touch display. It supports up to four simultaneous touch points and one button (Home button)

HDMI CSDS presents itself as a HDMI 1.4 compatible display. Resolution and timing data are available as EDID data. Resolution is 768x1024. Note that this differs from the standard 1024x768. Some Linux distributions might not support this resolution without manual configuration.

Switch screens

To switch between screens double tap the button on the car display.

Compatible Products

For more information regarding connection to compatible products see:
www.standby.eu/support/manuals

Standby will not be held liable for improper installation or use of this product. Please follow all instructions provided. Professional advice and proper installation of the Standby products by an authorized Standby Partner are recommended to provide maximum safety and function